



US00D560026S

(12) **United States Design Patent**
Shulem

(10) **Patent No.:** **US D560,026 S**

(45) **Date of Patent:** **** Jan. 15, 2008**

(54) **LAMP BASE**

(75) Inventor: **Aviva Shulem**, New York, NY (US)

(73) Assignee: **Donghia, Inc.**, New York, NY (US)

(**) Term: **14 Years**

(21) Appl. No.: **29/267,686**

(22) Filed: **Oct. 18, 2006**

(51) **LOC (8) Cl.** **26-99**

(52) **U.S. Cl.** **D26/142**

(58) **Field of Classification Search** D26/142,
D26/93, 110, 40, 96, 153, 138; 362/410,
362/153, 296, 300, 311, 316, 382, 412, 414

See application file for complete search history.

(56) **References Cited**

U.S. PATENT DOCUMENTS

D271,429 S *	11/1983	Andersen	D26/104
D280,444 S *	9/1985	Boss	D26/110
D280,445 S *	9/1985	Boss	D26/110
D280,937 S *	10/1985	Sher	D26/110
D283,449 S *	4/1986	Greenspan	D26/103
D328,156 S *	7/1992	Bonander, Jr.	D26/21
D330,601 S *	10/1992	Bonander, Jr.	D26/21
D368,547 S *	4/1996	Chen	D26/93
D382,365 S *	8/1997	Hutton	D26/110
D385,648 S *	10/1997	Hutton	D26/110
D389,947 S *	1/1998	Hutton	D26/110
D410,297 S *	5/1999	Huang	D26/110

D414,289 S * 9/1999 Diaz-Azcuy D26/110

OTHER PUBLICATIONS

Ceramic Lamp Cicra 1910-1930 (www.fulper.net).

Murano Trading Glass Vase, Italy 2004 (JH).

* cited by examiner

Primary Examiner—Freda S. Nunn

Assistant Examiner—Kevin K Rudzinski

(74) *Attorney, Agent, or Firm*—Heslin Rothenberg Farley & Mesiti P.C.

(57) **CLAIM**

The ornamental design for the lamp base, as shown and described.

DESCRIPTION

FIG. 1 is a perspective view of a lamp base comprising the new design;

FIG. 2 is a top view thereof;

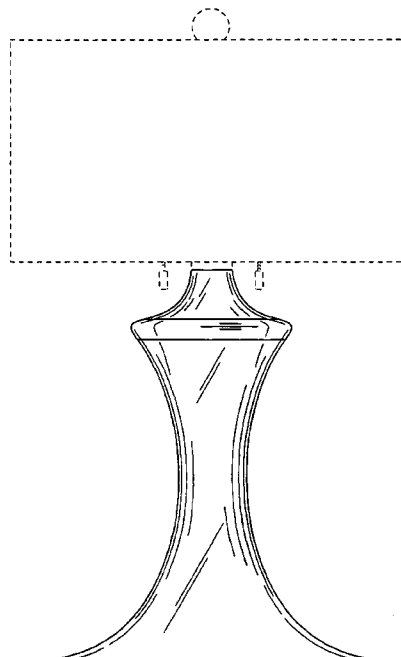
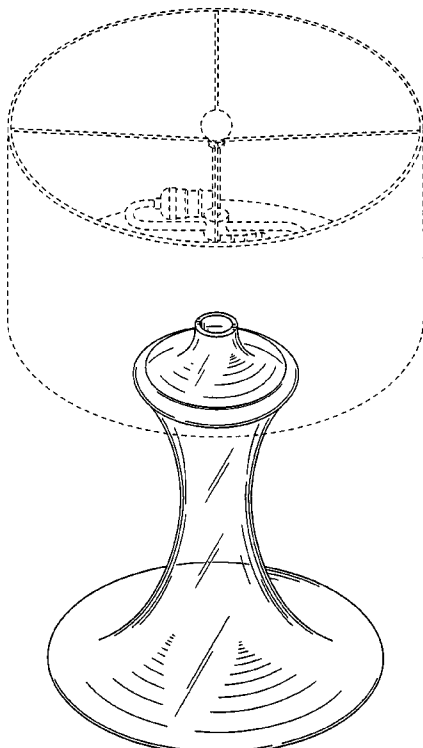
FIG. 3 is a side view thereof;

FIG. 4 is a front view of a second embodiment of a lamp base comprising the new design, shown having indeterminate height; and,

FIG. 5 is a front view of a third embodiment of a lamp base comprising the new design, shown having an opaque surface.

The broken lines in the figures are for illustrative purposes only and form no part of the claimed invention.

1 Claim, 5 Drawing Sheets



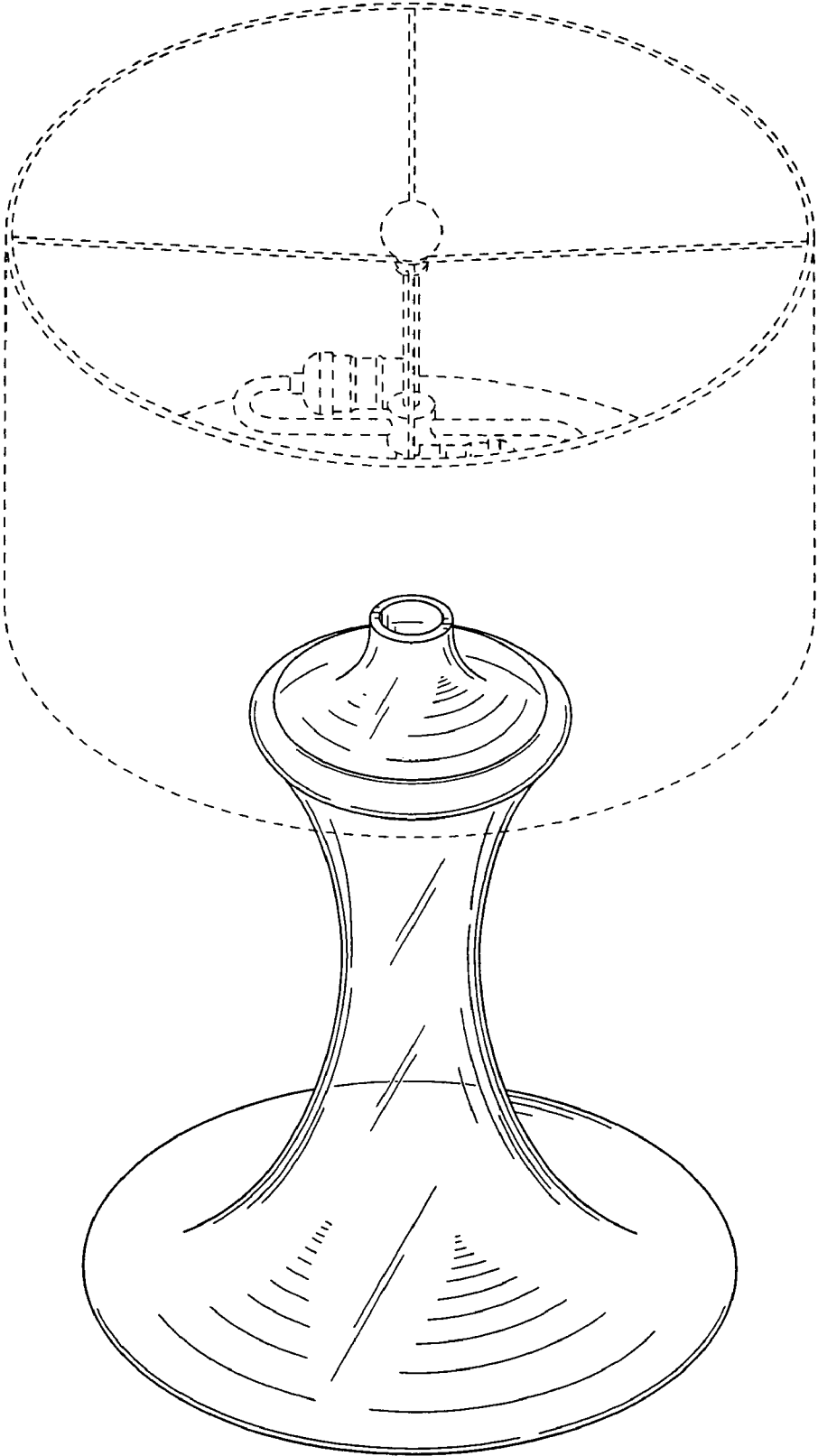


FIG. 1

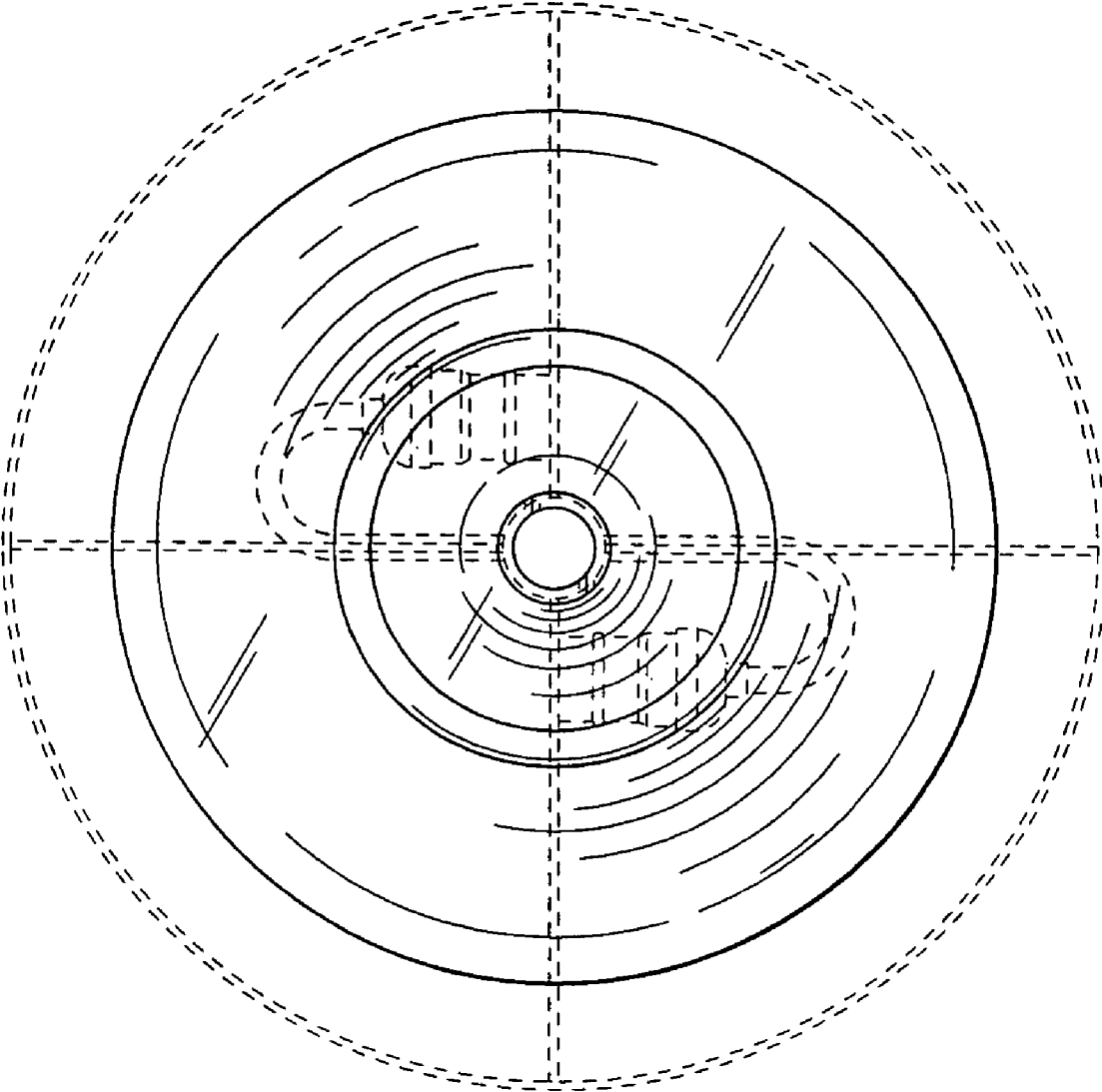


FIG. 2

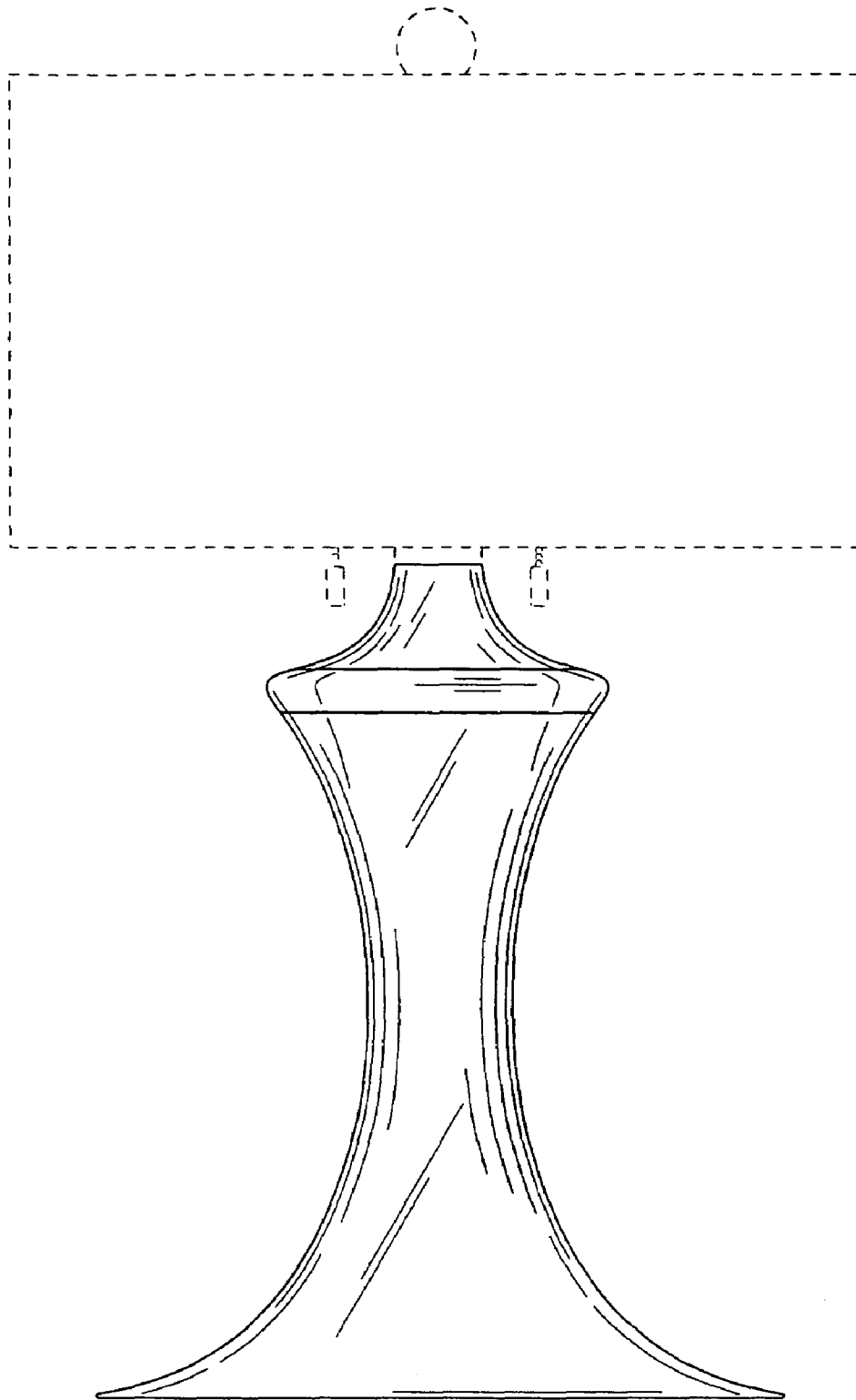


FIG. 3

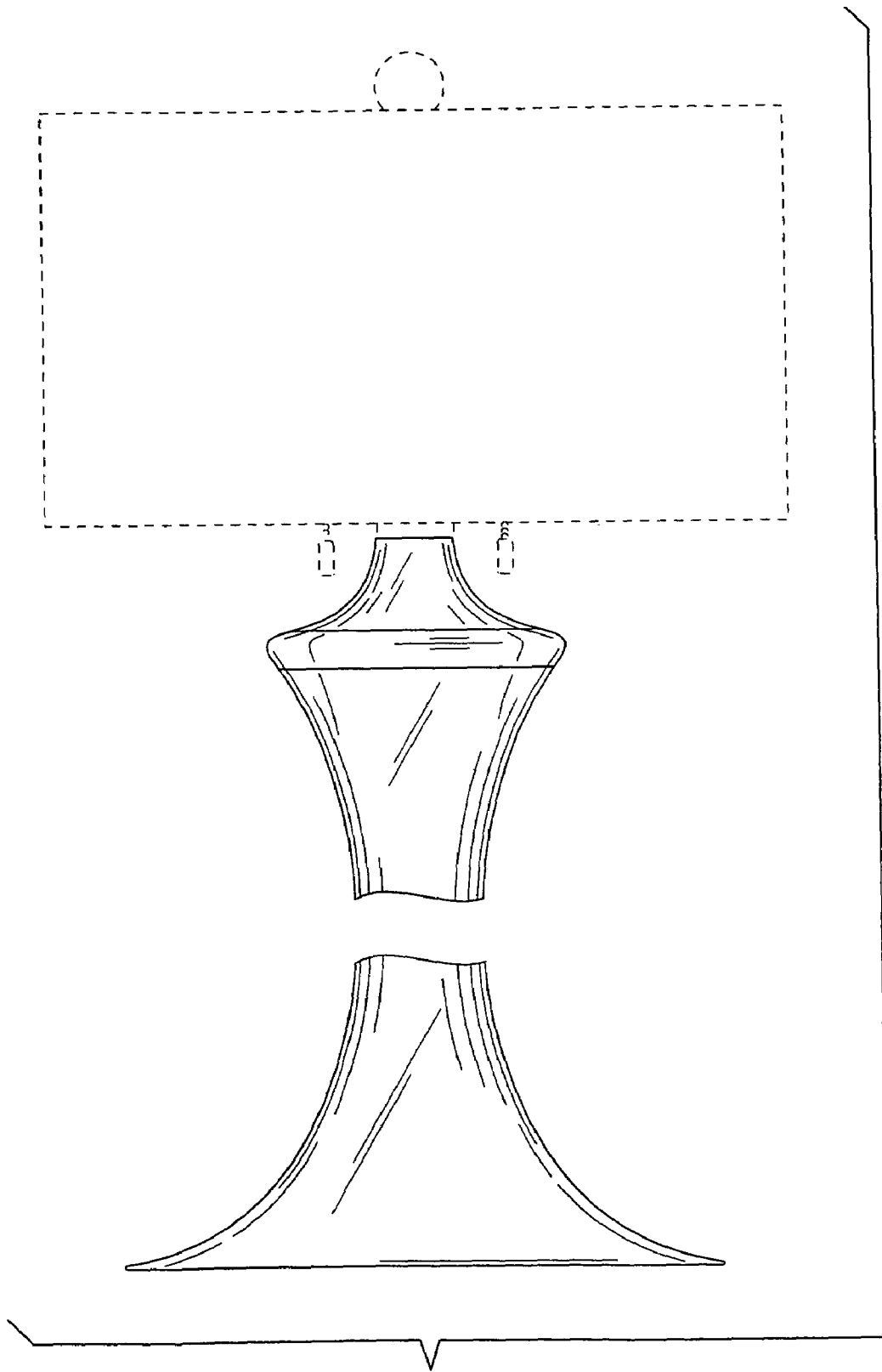


FIG. 4

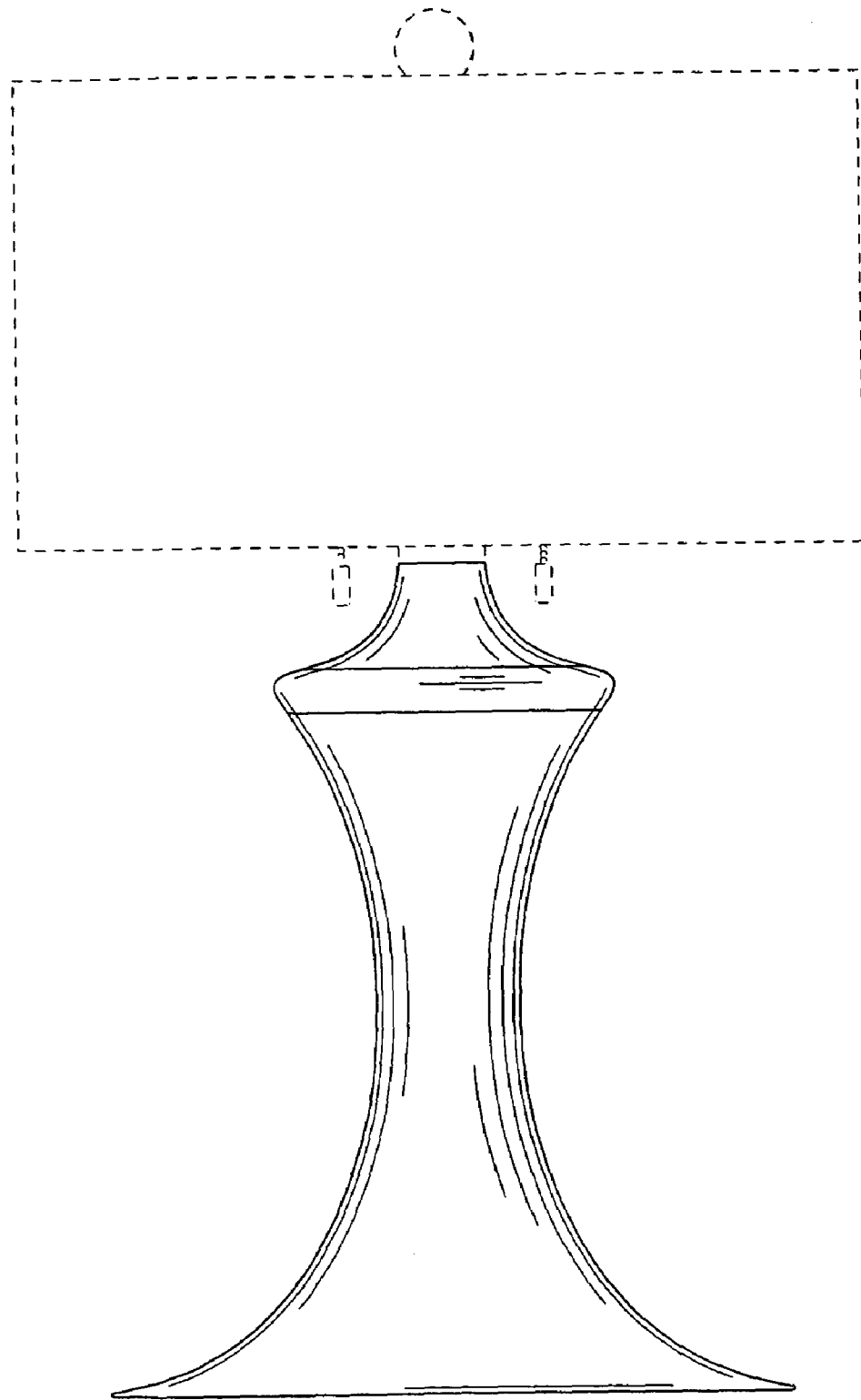


FIG. 5